



TECHNICAL DATA

Operating range:

from 0.4 to 5.4 m³/h with head up to 54 metres.

Liquid quality requirements: clean, free from solid or abrasive contaminants, non-viscous, non-aggressive, uncrystallised and chemically neutral, close to the properties of water.

Liquid temperature range:

from 0°C to +35°C for domestic use (EN 60335-2-41).

for other use: from 0°C to +40°C

Maximum suction depth: 8 metres.

Maximum ambient temperature: +40°C

Maximum operating pressure:

8 bar (800 kPa)

6 bar (600 kPa) only for models in technopolymer (JETCOM)

Installation: fixed in a horizontal position.

Special executions on request: alternative voltages and/or frequencies.

Motor protection rating: IP 44

Terminal block protection rating: IP 55

Insulation class: F

Standard input voltage: single phase 220/240 V / 50 Hz

APPLICATIONS

Self-priming electric centrifugal pump for gardening, horticulture, washing and leisure activities.

Equipped with a handle to aid in transport, a H07RN-F 2 metre power cord with plug and on-off switch.

Compact, easy to install, self-priming for pumping out pools, wells, and waterways even in the presence of air bubbles. Suitable for pumping water with low levels of sandy impurities.

CONSTRUCTIONAL FEATURES OF THE PUMP

Pump body in cast iron and motor support in die cast aluminium.

Impeller, diffuser, venturi tube in technopolymer.

Stainless steel wear ring and seal holder.

Carbon/ceramic mechanical seal.

CONSTRUCTIONAL FEATURES OF THE MOTOR

Asynchronous type, closed, with external air cooling.

Rotor mounted on oversized greased-for-life ball bearings, to guarantee low noise and long life.

Incorporated thermo-amperometric protection and permanently inserted capacitor.

Manufacture pursuant to CEI 2-3 and CEI 61-69 (EN 60335-2-41) standard.

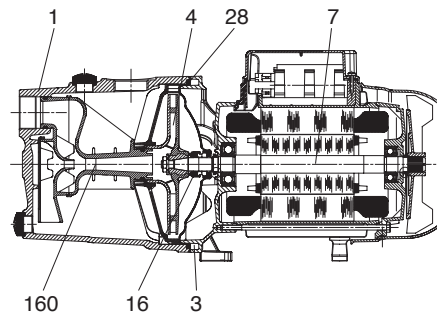
GARDENJET

SELF-PRIMING CENTRIFUGAL ELECTRIC PUMPS

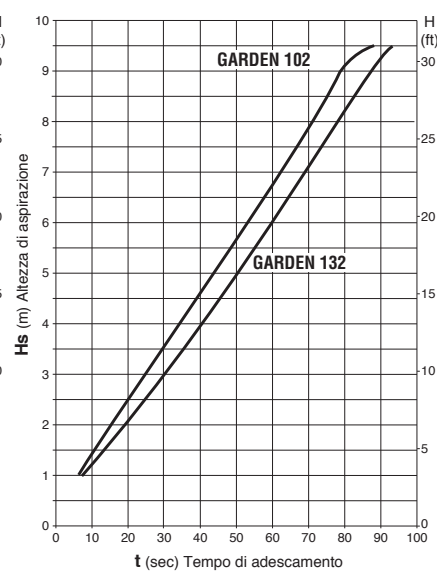
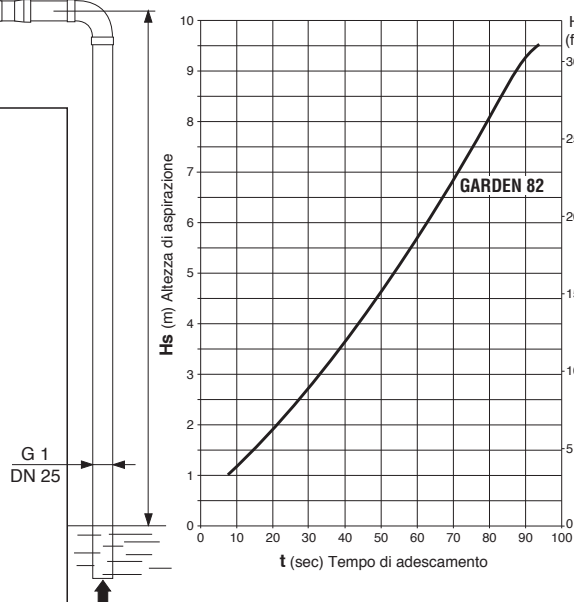
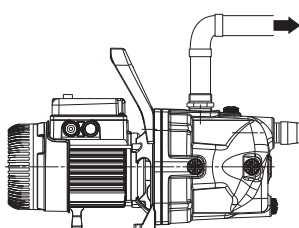
MATERIALS

N°	PARTS*	MATERIALS
1	PUMP BODY	GJL 200 UNI EN 1561 CAST IRON
3	FRAME	DIE CAST ALUMINIUM
4	IMPELLER	PPO-GF 20 (Noryl™)
7	SHAFT WITH ROTOR	AISI 416 STAINLESS STEEL X12CrS13 UNI EN 10088 (UNI 6900: 71)
16	MECHANICAL SEAL	CARBON/CERAMIC
28	OR GASKET	NBR RUBBER
160	VENTURI DIFFUSER NOZZEL GROUP	PPO-GF 20 (Noryl™)

* In contact with liquid



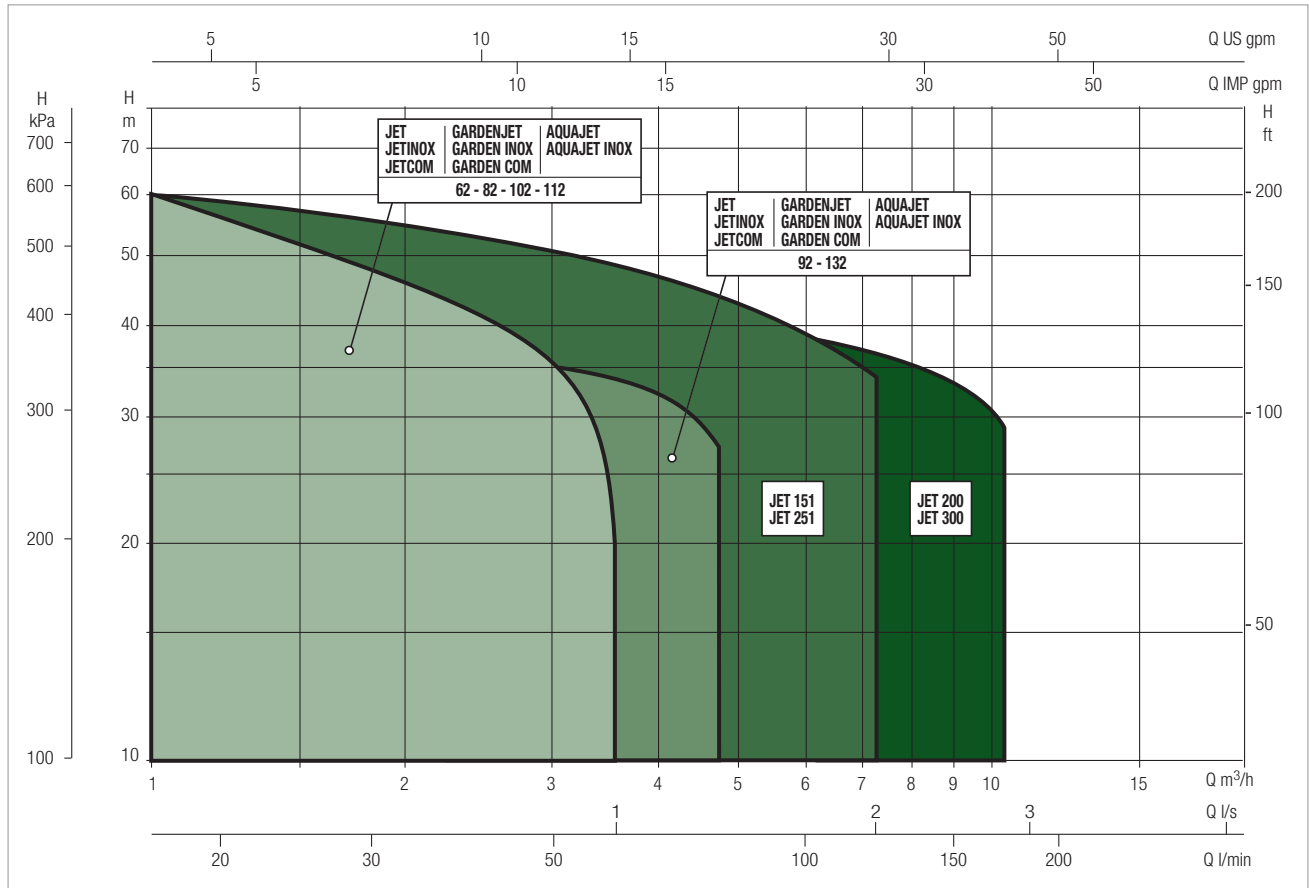
SELF PRIMING CAPACITY



PERFORMANCE RANGE

The performance curves are based on kinematic viscosity values = 1 mm²/s and density equivalent to 1000 kg/m³. Curve tolerance according to ISO 9906.

GRAPHIC SELECTION TABLE

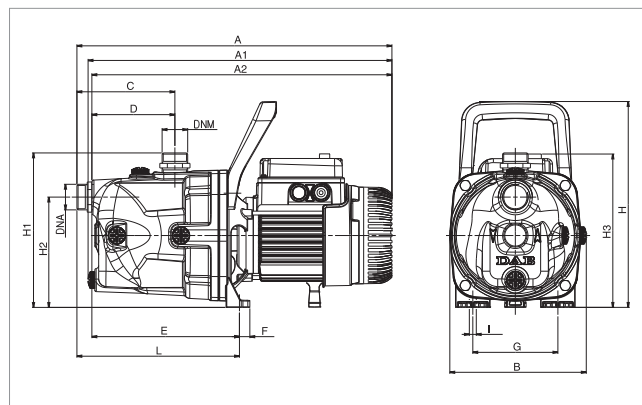
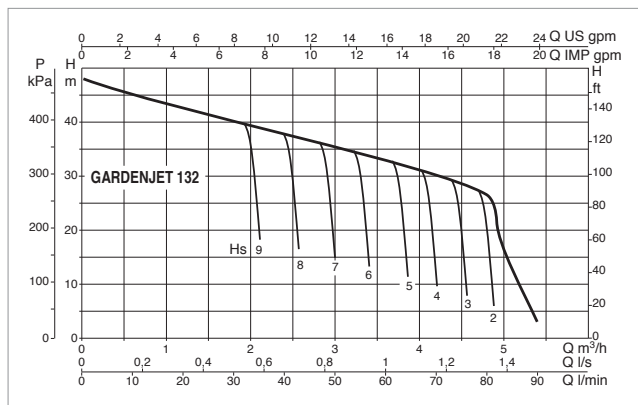
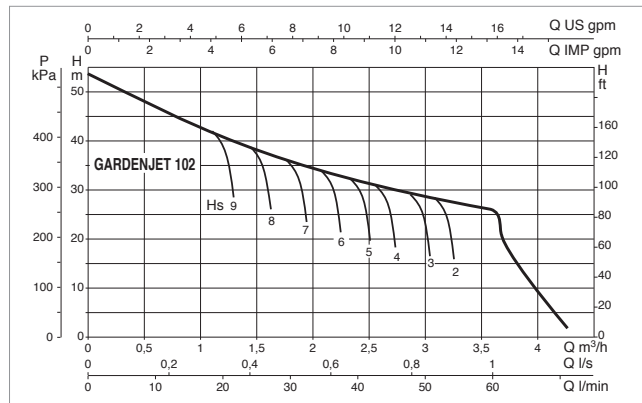
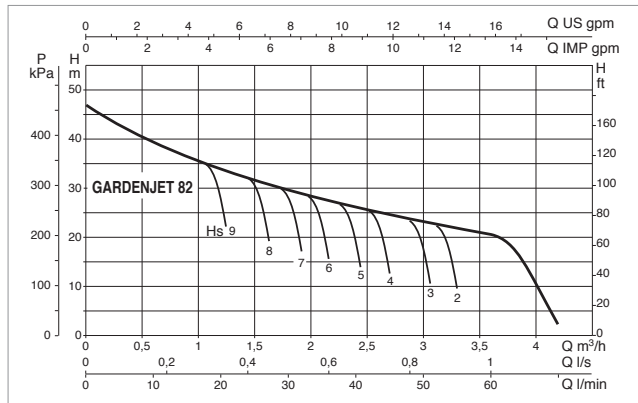


GARDENJET SELECTION TABLE

MODEL	Q=m ³ /h	0	0.6	1.2	1.8	2.4	3.0	3.6	4.2	4.8
	Q=l/min	0	10	20	30	40	50	60	70	80
GARDENJET 82 M	H (m)	47	40	34	30	26.2	23.5	20.3		
GARDENJET 102 M		53.8	47	41	36.3	32.4	28.8	25.8		
GARDENJET 132 M		48.3	45.6	42.8	40	37.6	35	32.5	30	27.2

GARDENJET - SELF-PRIMING CENTRIFUGAL ELECTRIC PUMPS FOR DOMESTIC WATER SUPPLY

Liquid temperature range pumped: from 0 °C to +35 °C - Maximum ambient temperature: +40°C



The performance curves are based on kinematic viscosity values = 1 mm²/s and density equivalent to 1000 kg/m³. Curve tolerance according to ISO 9906.

MODEL	ELECTRICAL DATA						
	POWER SUPPLY 50 Hz	P1 MAX kW	P2 NOMINAL		In A	CAPACITOR	
			kW	HP		µF	Vc
GARDENJET 82 M	1x220-240 V ~	0.85	0.6	0.8	3.8	12.5	450
GARDENJET 102 M	1x220-240 V ~	1.13	0.75	1	5.1	16	450
GARDENJET 132 M	1x220-240 V ~	1.49	1	1.36	6.6	25	450

MODEL	A	A1	A2	B	C	D	E	F	G	H	H1	H2	H3	H4	I Ø	L	DNA GAS	DNM GAS	PACK DIMENSIONS			VOLUME (mc)	GROSS WEIGHT Kg
																			L/A	L/B	H		
GARDENJET 82 M	410	395	390	178	127	108	192	14	111	268	201	144	199	-	9	212	1"	1"	470	240	240	0.027	11.2
GARDENJET 102 M	429	414	409	178	127	108	192	14	111	268	200	144	209	-	9	212	1"	1"	470	240	240	0.027	13.0
GARDENJET 132 M	429	414	409	178	127	180	192	14	111	268	200	144	209	-	9	212	1"	1"	470	240	240	0.027	14.0